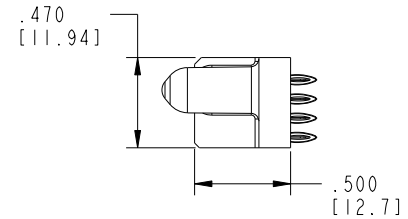
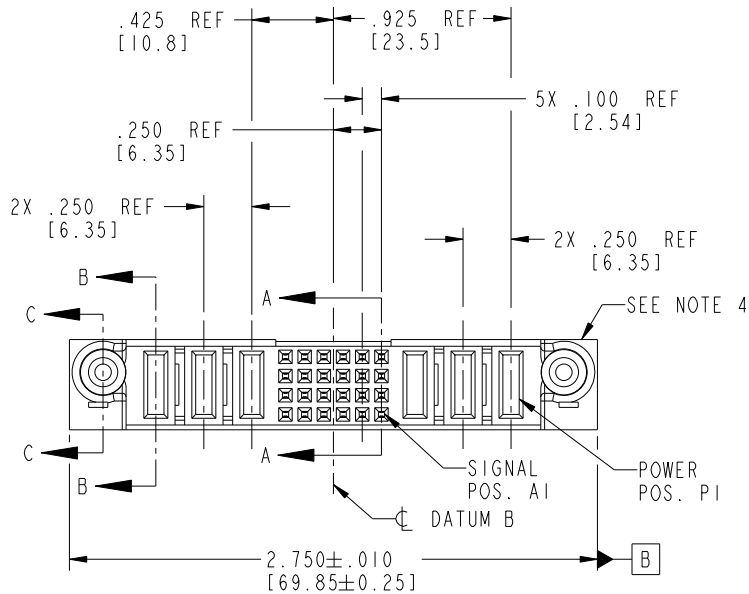


Tous droits strictement réservés. Reproduction ou communication a des tiers interdite sous quelque forme que ce soit sans autorisation écrite du propriétaire. Propriété de c FCI. Droits de reproduction FCI.



All rights strictly reserved. Reproduction or issue to third parties in any form whatever is not permitted without written authority from the proprietor. Property of FCI. Copyright FCI.

PRODUCT NO.	ROWS	POWER			SIGNAL					POWER						
		E2	P6	P5	P4	6	5	4	3	2	1	P3	P2	P1	E1	
51750-008	D C B A		PC	PF	PC	F	F	F	F	F	F	F	PF	PC	PF	
NOTE: (3)																



CODE	DIM "M" MATING LENGTH	CONTACT TYPE
F	N/A [N/A]	SIGNAL
PC	.042 [1.07]	POWER
PF	.092 [2.34]	POWER

mat'l code				SEE NOTE 2		tolerances unless otherwise specified		CUSTOMER		 www.fciconnect.com	
ltr	ecn no.	dr	date	linear	.XX±.01/0.X±0.3	COPY		projection		title	
A	V02923	EKK	01/03/01		.XXX±.005/0.XX±0.13	A				3P + 24S + 3P	
B	V03-1275	TAB	12/01/03	angles	.XXX±.0020/0.XXX±0.051	B				VERTICAL PRESSFIT RECEPT	
C	DG05-0232	SJ	07/21/05		0°+2°	C		INCH/MM		product family	
D	DG05-0138	GJM	06/01/05	dr	E. KORFF 01/03/01	D		1:1		PwrBlade	
E	DG08-0251	W D	09/13/08	engr	J. DODDS 01/03/01	E		scale		code	
				chr	J. DODDS 01/03/01	F				213	
				appd	J. DODDS 01/03/01	G				sheet	
sheet index		revision sheet		E	E	H				1 of 4	
		1	2	E	E	I				A 51750-008	
				3	4	J				1 of 4	

Pro/E

PDM: Rev: E

STAT: Released

Printed: Sep 20, 2008

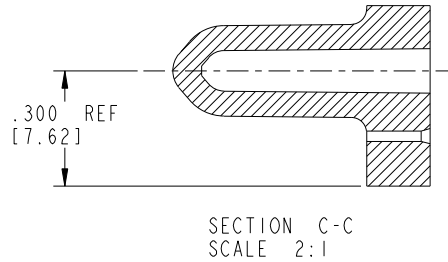
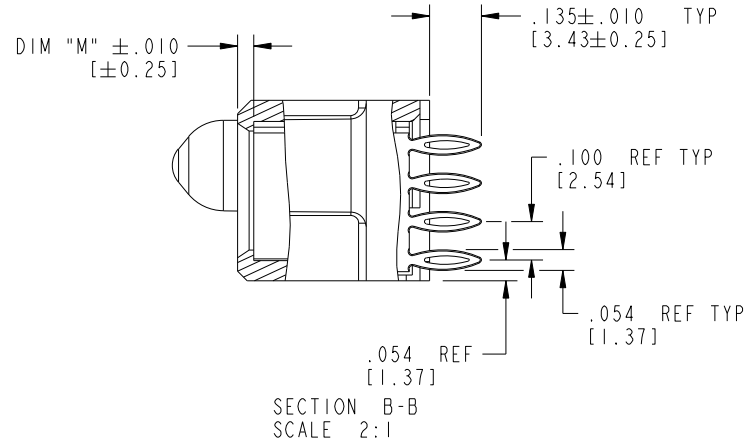
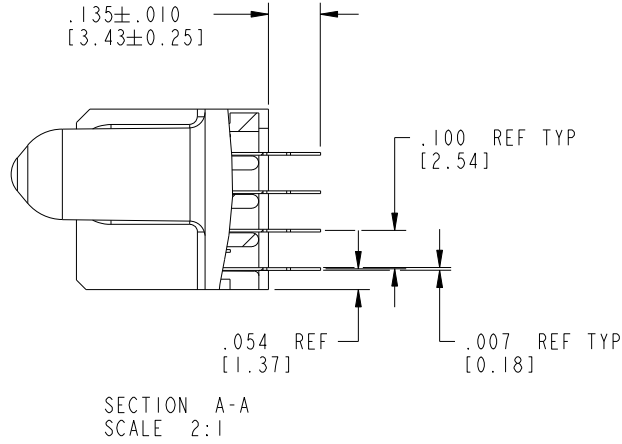
cage code 28556

Tous droits strictement réservés. Reproduction ou communication a des tiers interdite sous quelque forme que ce soit sans autorisation écrite du propriétaire. Propriété de c FCI. Droits de reproduction FCI.

All rights strictly reserved. Reproduction or issue to third parties in any form whatever is not permitted without written authority from the proprietor. Property of FCI. Copyright FCI.



PRODUCT NUMBER
51750-008--
NOTE: ③



mat'l code		SEE NOTE 2		tolerances unless otherwise specified		CUSTOMER		FCI	
ltr	ecn no.	dr	date	linear	.XX±.01/0.X±0.3	COPY		www.fciconnect.com	
E				projection	.XXY±.005/0.XX±0.13	INCH/MM		title 3P + 24S + 3P	
				angles	.XXX±.0020/0.XXX±0.051	1:1		VERTICAL PRESSFIT RECEPT	
				dr	E. KORFF 01/03/01	scale		product family PwrBlade code	
				engr	J. DODDS 01/03/01	1:1		size dwg no 213	
				chr	J. DODDS 01/03/01			sheet	
				appd	J. DODDS 01/03/01			2 of 4	
sheet index		revision sheet						A 51750-008	

Pro/E

PDM: Rev: E

STATUS: Released

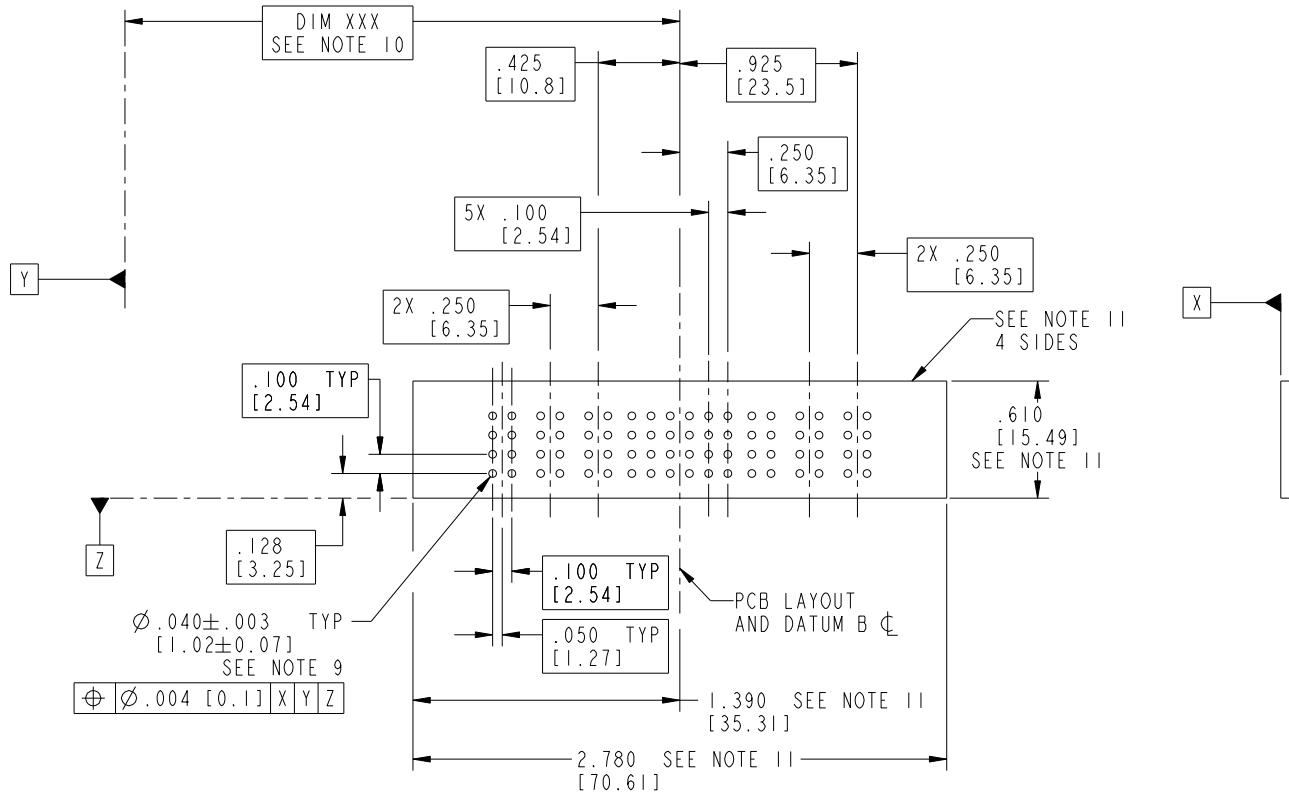
Printed: Sep 20, 2008

Tous droits strictement réservés. Reproduction ou communication a des tiers interdite sous quelque forme que ce soit sans autorisation écrite du propriétaire. Propriété de c FCI. Droits de reproduction FCI.



All rights strictly reserved. Reproduction or issue to third parties in any form whatever is not permitted without written authority from the proprietor. Property of FCI. Copyright FCI.

PRODUCT NUMBER
51750-008--
NOTE: ③



RECOMMENDED PCB LAYOUT

mat'l code		SEE NOTE 2		tolerances unless otherwise specified		CUSTOMER		FCI	
ltr	ecn no.	dr	date	linear	.XX±.01/0.X±0.3	COPY		www.fciconnect.com	
E				projection	.XXY±.005/0.XX±0.13			title 3P + 24S + 3P	
				angles	.XXX±.0020/0.XXX±0.051			VERTICAL PRESSFIT RECEPT	
				dr	E. KORFF 01/03/01	INCH/MM		product family PwrBlade	
				engr	J. DODDS 01/03/01	scale		code 213	
				chr	J. DODDS 01/03/01	1:1		size dwg no	
				appd	J. DODDS 01/03/01			A 51750-008	
sheet index		revision sheet						sheet 3 of 4	

cage code 22536

Pro/E

PDM: Rev: E

STATUS: Released

Printed: Sep 20, 2008

Tous droits strictement réservés. Reproduction ou communication a des tiers interdite sous quelque forme que ce soit sans autorisation écrite du propriétaire. Propriété de c FCI. Droits de reproduction FCI.



All rights strictly reserved. Reproduction or issue to third parties in any form whatever is not permitted without written authority from the proprietor. Property of FCI. Copyright FCI.

1 | 2

3 |

4

PRODUCT NUMBER
51750-008--
NOTE: ③

NOTES:

1. DIMENSIONS AND TOLERANCES ARE IN ACCORDANCE WITH ASME Y14.5M, 1994 UNLESS OTHERWISE SPECIFIED.

CONNECTOR NOTES:

② HOUSING MATERIAL: UL 94 V-0 GLASS FILLED HIGH-TEMP THERMOPLASTIC
POWER CONTACT MATERIAL: COPPER ALLOY
SIGNAL PIN MATERIAL: COPPER ALLOY

⚠ 3. SEE ITEM 7 & 8 IN PRINT 10064183 FOR PLATING SPEC OF 51750-008 AND 51750-008LF RESPECTIVELY.

④ MANUFACTURER'S NAME, P/N, AND DATE CODE TO APPEAR ON THIS SURFACE.

5. PRODUCT SPECIFICATION GS-12-149.
APPLICATION SPECIFICATION BUS-20-067.

6. PACKAGED IN TRAYS.

PCB NOTES:

7. ALL HOLE DIAMETERS ARE FINISHED HOLE SIZE.

⑧ MOUNTING HOLES, WHERE APPLICABLE, ARE UNPLATED.

⑨ $\varnothing .0453 \pm .0010$ [1.151 \pm 0.025] DRILLED HOLES PLATED WITH .0003 [0.008] MIN SnPb OVER .001 [0.03] TO .003 [0.08] Cu PLATING TO ACHIEVE $\varnothing .040 \pm .003$ [1.02 \pm .07] HOLE.

⑩ "DIM XXX" TO BE DETERMINED BY THE CUSTOMER.

⑪ CONNECTOR KEEP-OUT ZONE.

12. ⚠ SYMBOL WILL BE NEXT TO ANY DIMENSION, VIEW, OR NOTE WHICH HAS BEEN MODIFIED WITH THE CURRENT DRAWING REVISION.

mat'l code		SEE NOTE 2		tolerances unless otherwise specified		CUSTOMER		 www.fciconnect.com		
lfr	ecn no.	dr	date	linear	.XX±.01/0.X±0.3		projection	COPY		
E					.XXX±.005/0.XX±0.13			 INCH/MM	title	
				angles	.XXX±.0020/0.XXX±0.051		 scale		3P + 24S + 3P VERTICAL PRESSFIT RECEPT	
					0° ± 2°		product family		code	
				dr	E. KORFF	01/03/01	PwrBlade		213	
				engr	J. DODDS	01/03/01	size	dwg no	sheet	
				chr	J. DODDS	01/03/01	A		4 of 4	
				appd	J. DODDS	01/03/01	51750-008			
sheet index	revision sheet									

1 | 2

Pro/E

PDM: Rev: E

STATUS: Released

Printed: Sep 20, 2008

A

A

B

B

cage code 28526

4